

# High grade noodle boiler series

**Powerful boiling with wavy tank heating method!  
Highly heat efficiency / Energy saving with hot water supply device utilizing exhaust heat and steam shutter.**

## Wavy tank bottom to realize strong boiling ability and excellent cleanness.

Since heat of burner can be transmitted without waste thanks to wavy shape of tank bottom, delicious noodle can be boiled with strong boiling power.

Because of R-processing at the corner in the tank and wavy tank bottom, scum and slime can easily be removed.

## Energy saving by hot water supply device utilizing exhaust heat with highly heat efficiency.

A hot water supply device utilizing exhaust heat includes a heat exchanger and can supply hot water with 600cc/minute anytime. Further, since scum and slime can be overflowed widely from front side without reducing temperature in the boiling tank, the hot water can effectively be prevented from getting cloudy.

## Energy-saving and usability with half-opening position.

Gas cock with half-opening position is adopted to enable switching between high heat and low heat. Energy-saving and usability can be realized with half-opening position during idle time and full-opening position during busy time.

## Steam shutters to enhance heat efficiency and safety.

Automatically closed when the boiling basket is not in use to prevent boiling water from splashing. Since heat is not given out, heat efficiency is enhanced even by highly advanced hot water supply device utilizing exhaust heat and boiling time becomes shorter with energy-saving.



●Wavy tank bottom.



●Steam shutters for enhancing heat efficiency through which boiling basket can be pushed.



●Gas cock with half opening position.

## Lift-down automatically when you push the Lift Cap of basket! “High Grade Automatic Noodle Boiler” which lifts up after boiled!

Lift-down automatically when you push the Lift Cap. Buzzer & Lift-up automatically when the set time comes. You do not need to check the status of boiled noodle. Everybody can boil delicious noodles. It is useful at peak times as well as laborsaving. Timer is touch-panel method which is easy to be used. The time can be set in 1 second increments. When you push the Lift Cap during cooking, the boiling stops and lift goes up automatically. Baskets can be lifted up and down by Touch-panel too.



Lift down when you push the Lift Cap.

Touch-Panel (MRH-L06)

## Standard-equipped water supply device.

High spec model  
used at family restaurants etc.

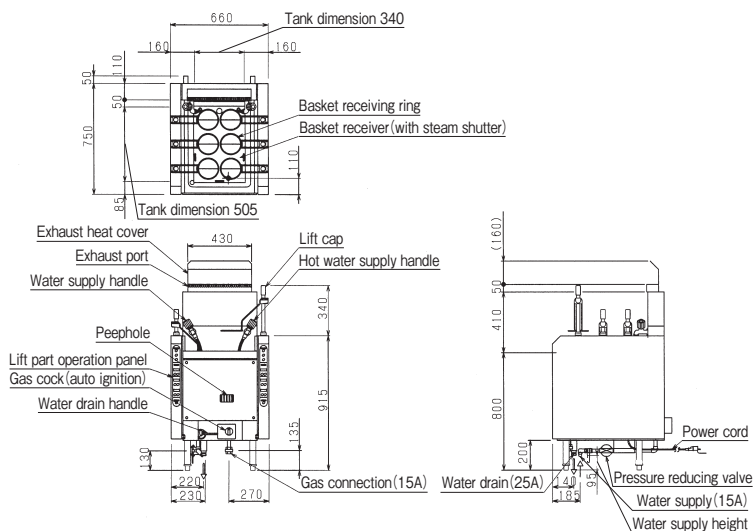
High grade automatic noodle boiler Tasty!! Thus automatic lift up type.

MRH-L06

List Price : ¥1,130,000  
(tax-excluded)

capacity  
120 meals/h

Attached lift up  
mechanism  
Increased Heat Efficiency 20%  
High spec hot water supply device  
+  
Steam shutter attached



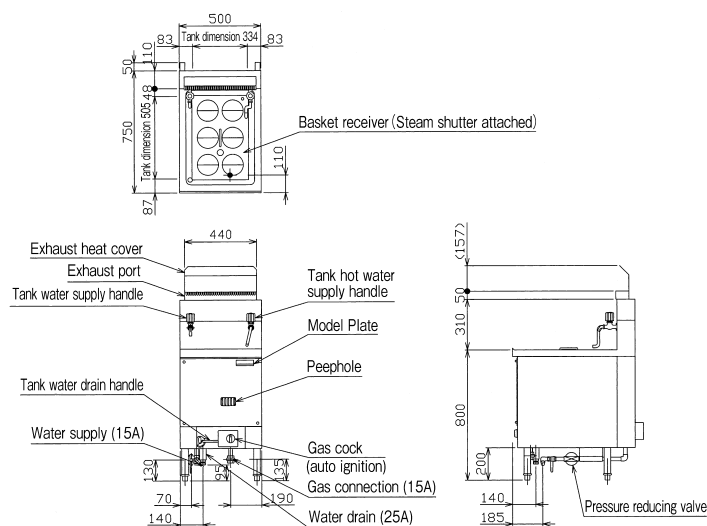
High grade noodle boiler High spec, Reasonable and usable model.

MRH-06

List Price : ¥598,000  
(tax-excluded)

capacity  
120 meals/h

Increased Heat Efficiency 20%  
High spec hot water supply device  
+  
Steam shutter attached



High grade noodle boiler series Specifications table

Model	External dimension (mm)				Tank quantity	Basket quantity	Tank water amount (ℓ)	Gas consumption		Gas connection		Power consumption 1φ100V (50/60Hz)	Power cord	Water supply	Water drain	Weight (kg)
	Width	Depth	Height	Back				Town gas	LP gas	Town gas	LP gas					
☆MRH-L06	658	750	800	410	1	6	33	20.9kW (18,000kcal/h)	20.9kW (1.5kg/h)	15A	15A	23W×2	2m with plug (ground adapter) Ⓢ	15A	25A	121
MRH-06	500	750	800	310	1	6	33	20.9kW (18,000kcal/h)	20.9kW (1.5kg/h)	15A	15A	—	—	15A	25A	85

●Flame Rod is equipped. Auto ignition cock is adopted. ●Delivery time of ☆marked models is about 2 weeks after receipt of order.